

Marine Generator Sets



C4.4

CATERPILLAR[®]

ON BOARD, OFF YOUR MIND.



Your need for reliable power doesn't stop at the shore—and neither does Caterpillar expertise. You can meet all your on-board power needs—and the latest emissions standards—with a Cat® C4.4 generator set. These generator sets are compact in size but huge on dependability. And with the renowned Caterpillar product support, they'll stay that way. There are packages (including MCS-approved units), configurations, and options to meet any marine application need. But no matter how complex your requirements, the installation process is always simple. Once installed, it's easy to forget about a Cat C4.4 generator set. Unmatched Caterpillar reliability and extended service intervals let you focus on the work (or play) at hand.

Generating value

At Caterpillar, our experience with marine power runs deep. This experience leads directly to value for our customers. Of course at sea, the peace of mind of having Caterpillar on board is valuable in itself. But dependability is only part of the story. The C4.4 generator set offers valuable benefits from the time of installation all the way through its long life.



**C4.4 Radiator-Cooled
(MCS shown)**

C4.4 GENERATOR SETS

Economical

Low owning and operating costs with competitive pricing, long-life construction, and extended service intervals

Easy to install

Plug and play remote instrument panels

Environmentally responsible

Low emission, noise, and vibration levels; 60 Hz meets EPA Tier 2, 50 Hz meets EU 97/68EC Stage II regulations

Safe

Automatic shutdowns for overspeed, high fresh water temperature, low engine oil pressure, and high exhaust temperature (when fitted with a wet exhaust system).

Flexible

Available as an open set or with sound attenuated enclosure, and with radiator-, heat exchanger-, or keel-cooled options

Excellent power quality

Suitable for sophisticated on-board equipment (computers, etc.)

Single source of supply for propulsion and generator sets

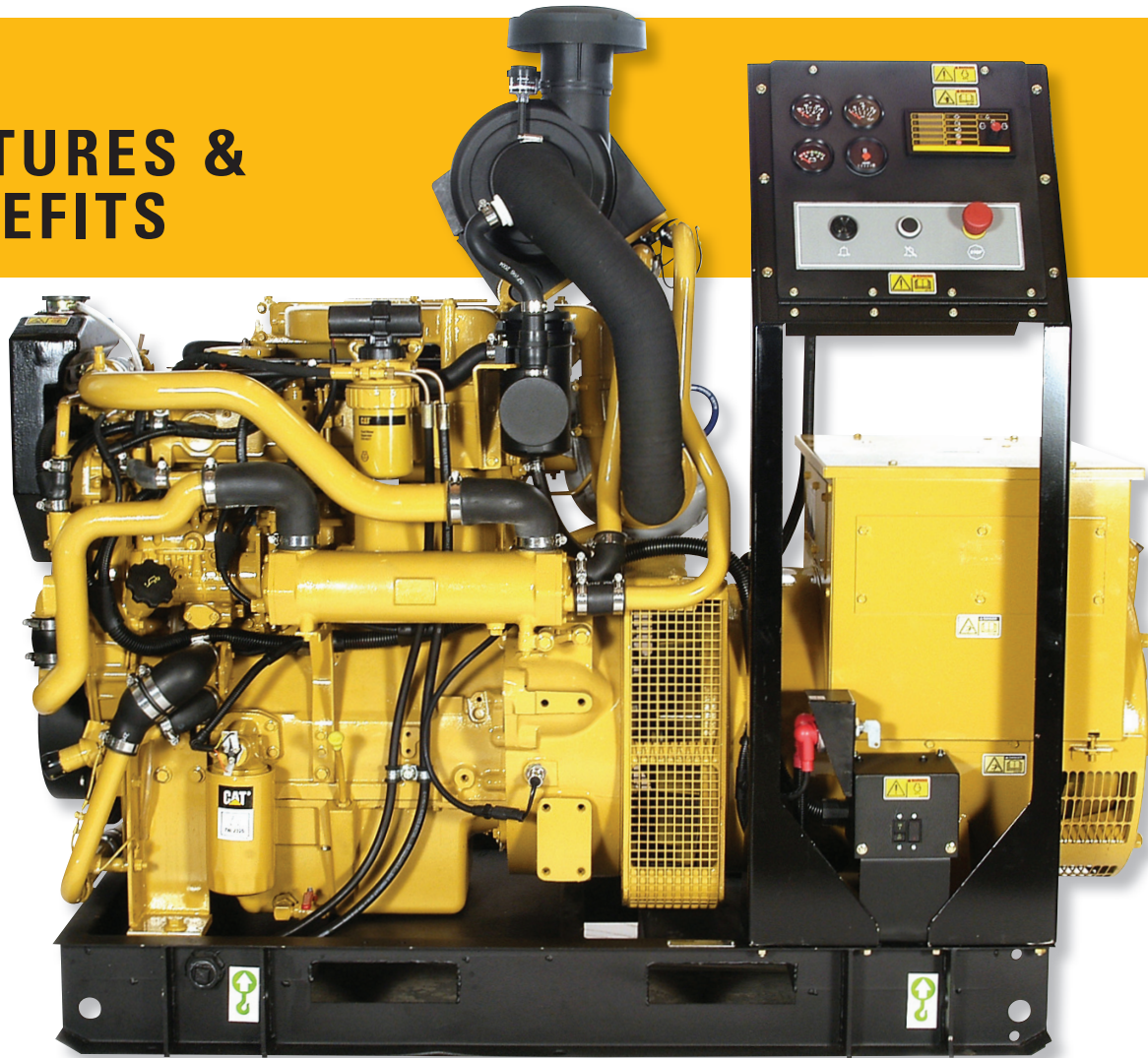
Reduced service costs and port time



C4.4 Heat Exchanger-Cooled

C4.4 Enclosed (non-MCS shown)

FEATURES & BENEFITS



PERIPHERAL FIXED, ISOLATED TOP COVER
reduces noise

ELECTRONIC LIFT PUMP
eliminates leaks and offers superior durability and easy starting

INTEGRAL OIL COOLER
eliminates leak paths

INTEGRAL REAR END OIL SEAL
prevents leaks

OPEN TOP DECK BLOCK
reduces noise and improves cooling

SUMP EDGE MOLDED CARRIER GASKET
prevents leaks

HIGH CONTACT RATIO/GEAR TRAIN
reduces noise

CROSS-FLOW CYLINDER HEAD
enhances performance and reduces emissions

GEAR-DRIVEN SEA WATER AND JACKET WATER PUMPS
improve durability (fail-safe operation)

500-HOUR SERVICE INTERVAL
reduces service costs

100% BLOCK LOADING CAPABILITY AND 300% SHORT CIRCUIT CURRENT
needed to start big loads like air conditioning units

CLOSED CRANKCASE VENTILATION
eliminates crankcase fumes

INTEGRAL STEEL DRIP PAN WITH BASE
maintains clean engine room

C4.4 GENERATOR SET PACKAGES

MCS Approved Packages

The C4.4 generator set is available direct from our factory in Marine Classification Society (MCS) approved packages. These packages meet MCS requirements for manned and unmanned engine room applications, including emergency application, and come with certification documentation. The single-source consistency and standardized quality of the MCS program provides streamlined procurement, installation, and servicing with:

- Factory completion of torsional vibration calculations and installation of alarm, shutdown, and all mechanical additions
- Complete factory testing
- Controlled packaging environment
- Easier shipyard installation with no re-packaging required
- Simplified servicing with established component and packaging standards



MCS Control Panel



Optional Attachments

- On-board spars and tool kit
- AC circuit breaker
- Siphon break
- Instrumentation
- Duplex secondary fuel filter
- Governor droop kit (enables paralleling with appropriate customer supplied switchgear)
- Remote expansion tank kit
- Double wall fuel lines
- Flexible fuel lines
- Primary fuel filter with water separator
- Space heater kit
- Remote start/stop panels
- Air starter
- Jacket water heater

Sound Enclosures

Durable sound attenuation enclosures are available on keel-cooled and heat exchanger C4.4 arrangements, including the MCS-approved packages. An integral or remote control panel offers advanced engine control and monitoring capabilities. Enclosure design also enables convenient access to the entire generator set.

ENCLOSURE DIMENSIONS – ALL RATINGS

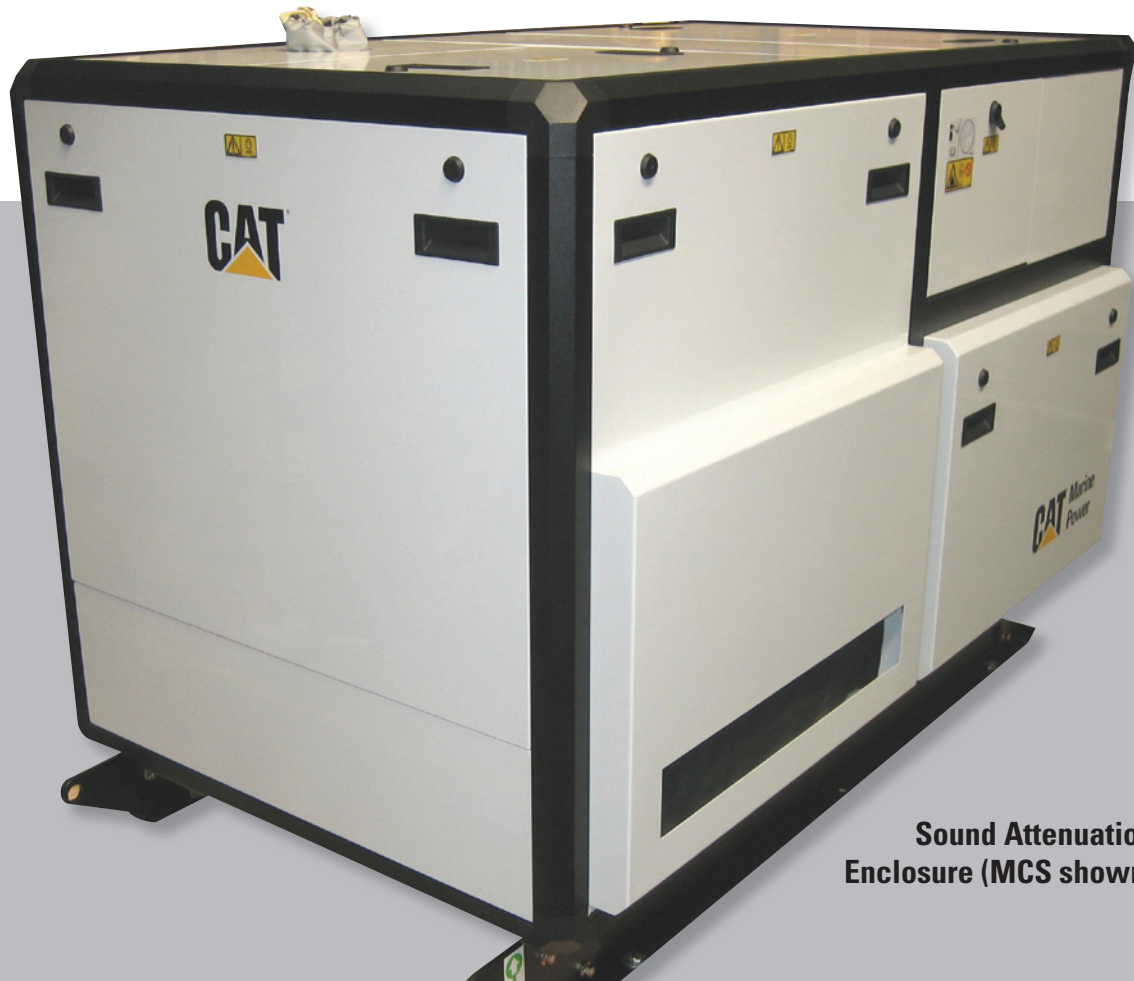
Length	1750 mm	(68.9 in)
Height	1215 mm	(47.8 in)*
Width	1000 mm	(39.4 in)

*Does not include remote-mounted air filter or electronic control panel.

ENCLOSED NOISE LEVELS

TYPE	RATING	SPEED	Db(A)*
DINA	38 ekW – 50 Hz	1500 rpm	72.9
DIT	51 ekW – 50 Hz	1500 rpm	67.8
DITA	69 ekW – 50 Hz	1500 rpm	70.3
DITA	86 ekW – 50 Hz	1500 rpm	71.9
DINA	44 ekW – 60 Hz	1800 rpm	75.1
DIT	58 ekW – 60 Hz	1800 rpm	71.6
DITA	76 ekW – 60 Hz	1800 rpm	71.8
DITA	99 ekW – 60 Hz	1800 rpm	72.5

*Average Sound Pressure Level at 1 meter and 100% load.



Sound Attenuation Enclosure (MCS shown)

C4.4 GENERATOR SETS

Specifications

I-4, 4-Stroke-Cycle-Diesel

Displacement — L (cu in).....	4.4 (269)
Bore — mm (in).....	105 (4.13)
Stroke — mm (in).....	127 (4.99)

Refill Capacity — L (U.S. gal)

Cooling System (engine and expansion tank)	
Heat Exchanger- & Keel-Cooled	16.5 (4.36)
Radiator Cooled.....	17.5 (4.62)
Lube Oil System.....	8.5 (2.25)

Oil Change Interval..... 500 hours

Dimensions

Naturally Aspirated

Length — mm (in).....	1422 (55.98)
Width (with mounting brackets) — mm (in).....	700 (27.56)
Height* — mm (in).....	1010 (39.80)

Turbocharged

Length — mm (in).....	1529 (60.20)
Width (with mounting brackets) — mm (in).....	700 (27.56)
Height* — mm (in).....	1055 (41.50)

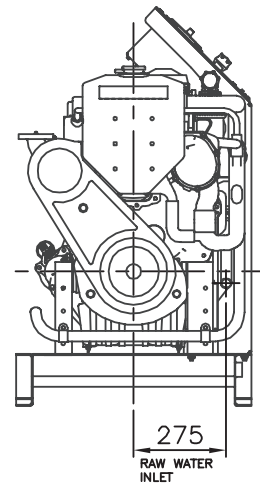
Turbocharged-Aftercooled

Length — mm (in).....	1529-1589 (60.20-62.56)
Width (with mounting brackets) — mm (in).....	724 (28.54)
Height* — mm (in).....	1132 (44.60)

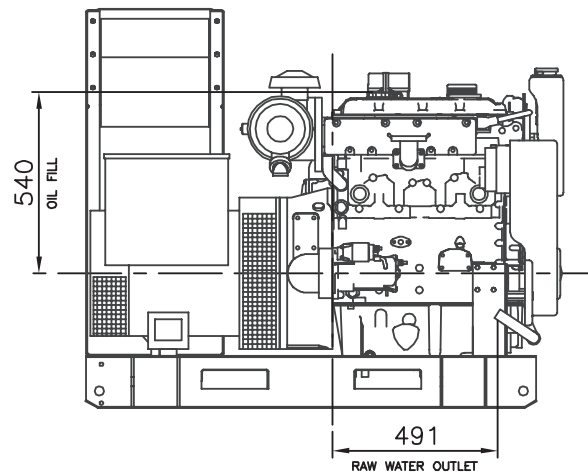
*Caterpillar height dimensions do not include remote-mounted air filter or electronic control panel.

Dimensions

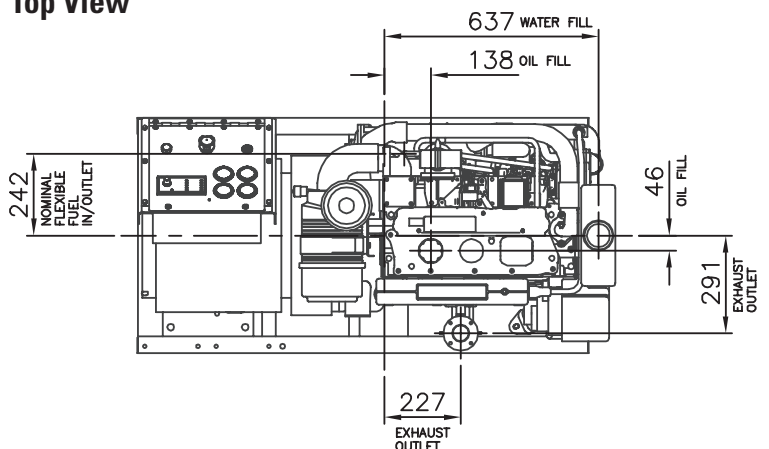
Front View



Right Side View



Top View





Power to drive, power to thrive.

Now the name you trust for propulsion applications is also the name for auxiliary marine power. Cat propulsion engines drive commercial vessels and pleasure craft all over the world. That proven technology has been applied in engineering dependable, efficient auxiliary power solutions. All the seagoing power you need comes from one supplier with one support network — Caterpillar. In fact, your C4.4 generator set will be supported by the largest, most responsive support network on the globe.

No matter how far you are from shore, you won't be alone. Caterpillar expertise and genuine parts are available on every continent — and the ports in between — every day. It can be rough out there, so turn to the most reliable power source in the world.

Learn more about the benefits of bringing a Cat C4.4 generator set on board. Call your local Cat dealer or visit cat-marine.com today.

LEDM7461-00

©2007 Caterpillar

All rights reserved.

Printed in U.S.A.

CAT, CATERPILLAR, their respective logos, "Caterpillar Yellow" and the POWER EDGE trade dress, as well as corporate and product identity used herein, are trademarks of Caterpillar and may not be used without permission.

CATERPILLAR[®]
TODAY'S WORK. TOMORROW'S WORLD.™